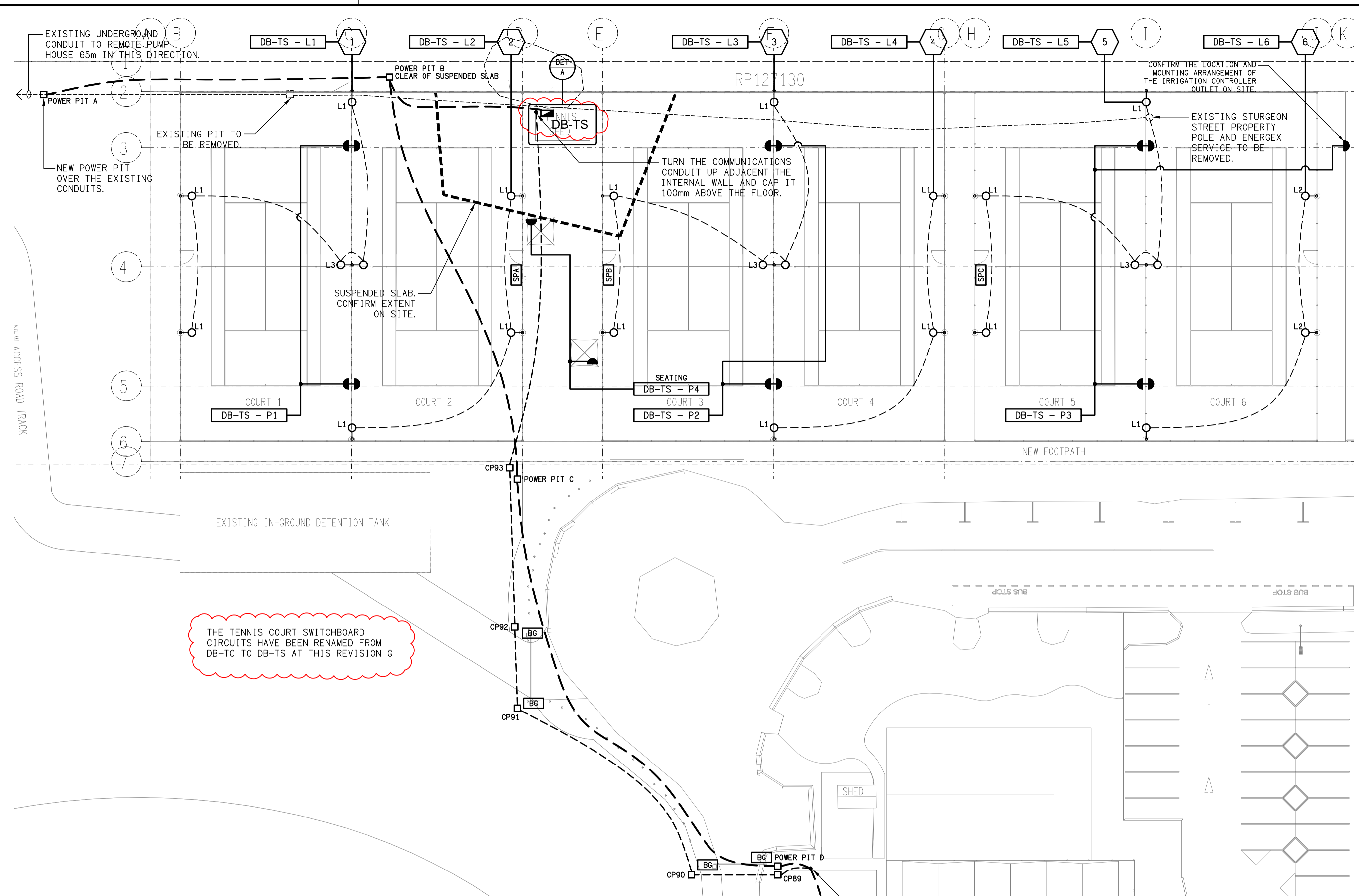
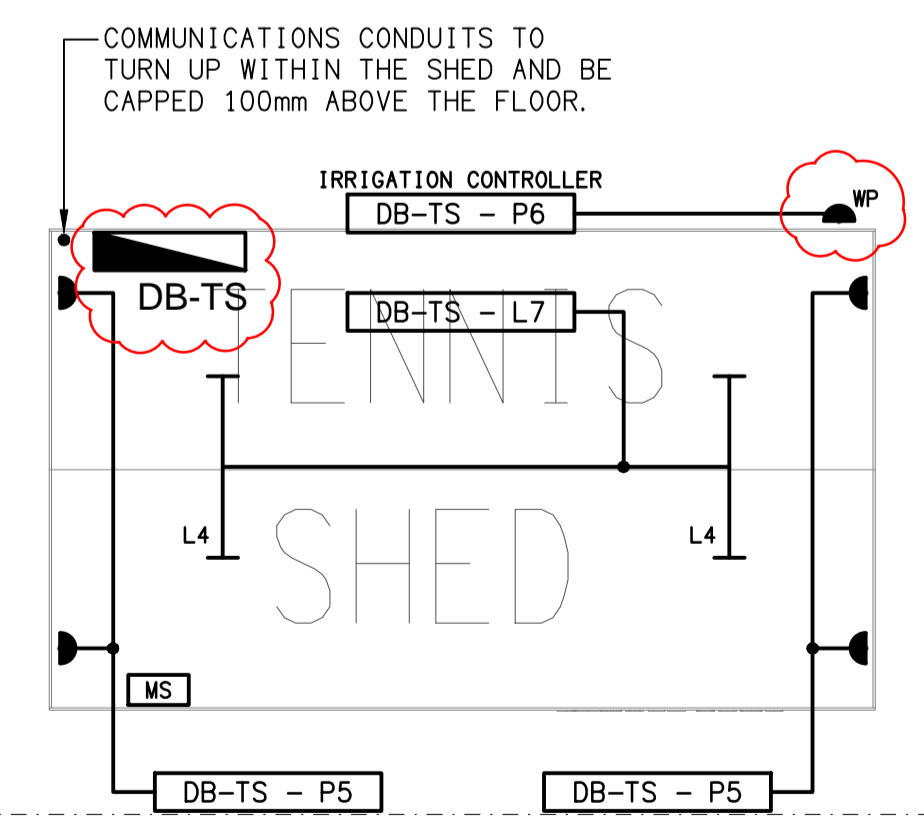


**SITE PLAN**  
ROSELAND TENNIS CENTRE LOCATION  
SCALE 1: 1000



**FLOOR PLAN**  
ROSELAND TENNIS CENTRE  
SCALE 1: 250



**DETAIL A**  
TENNIS SHED FLOOR / CEILING PLAN  
SCALE 1: 50

THE TENNIS COURT SWITCHBOARD CIRCUITS HAVE BEEN RENAMED FROM DB-TC TO DB-TS AT THIS REVISION G

ELECTRICAL DESIGN GROUP BRISBANE PTY LTD  
ACN 092 710 793  
TRADING AS:  
ELECTRICAL DESIGN GROUP

THE COPYRIGHT OF THIS DRAWING REMAINS THE PROPERTY OF THE ELECTRICAL DESIGN GROUP.  
USE FIGURED DIMENSIONS IN PREFERENCE TO SCALE.  
ALL DIMENSIONS TO BE VERIFIED ONSITE.

construction hospitality property  
**rohrig**  
rohrig.com.au

Rohrig (Qld) Pty Ltd  
ABN 67 093 753 970  
QBSA LIC NO 740842  
250 Abbotstford Road, Bowen Hills Qld 4006  
PO Box 86 Albion DC Qld 4010  
T+61 (7) 3257 4411 F+61 (7) 3257 2211  
www.rohrig.com.au

**ELECTRICAL DESIGN GROUP**  
ELECTRICAL BUILDING SERVICES CONSULTANTS  
BRISBANE GOLD COAST  
P.O. Box 15, Sherwood Q.4075  
Phone: (07) 3278 4375  
Email: brisbane@edg.net.au  
Web: www.edg.net.au

PROJECT:  
**ORMISTON COLLEGE**  
**ROSELAND TENNIS CENTRE**  
97 DUNDAS STREET WEST, ORMISTON

G	CONSTRUCTION	08/05/2024
REV:	DESCRIPTION:	DATE:
DRAWING: <b>ELECTRICAL SERVICES</b> <b>SITE PLANS</b>		
SCALE: AS NOTED	AT A1	PROJECT NO: <b>C2677a</b>
		DRAWING NO: <b>E02</b>
		REVISION: <b>G</b>